

PROJECT NAME: _____

DATE: _____

JOB LOCATION: _____

COMPANY: _____

SPECIFIER: _____

PLEASE USE ADOBE READER OR ADOBE ACROBAT TO FILL OUT AND SAVE FORM. USING OTHER PROGRAMS COULD RESULT IN UNSAVED DATA.

MODEL

QUANTITY

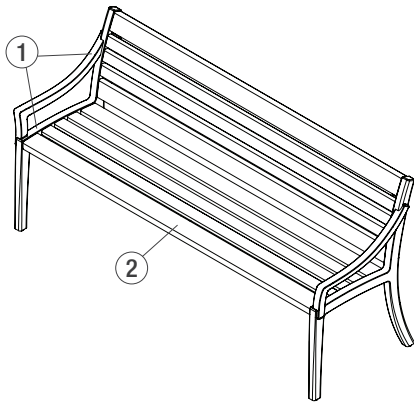
MODEL

_____	SBCOR-72BC	Cordia Bench, FSC® 100% Cumaru hardwood slats, 6-foot, backed
_____	SBCOR-72NC	Cordia Bench, FSC® 100% Cumaru hardwood slats, 6-foot, backless
_____	SBCOR-72BA	Cordia Bench, aluminum slats, 6-foot, backed
_____	SBCOR-72NA	Cordia Bench, aluminum slats, 6-foot, backless

FSC License Code: FSC-C004453

OPTIONS

CORDIA BENCH, ALUMINUM SLATS, BACKED



Powdercoat Color Options

Please select **one** option below and write in specified color.

1 Bench Frame

Standard Texture from F+S Powdercoat Color Chart

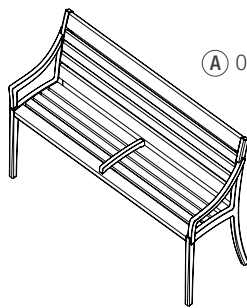
Custom RAL Powdercoat Color *(subject to upcharge)*

2 Aluminum Slats (when specified)

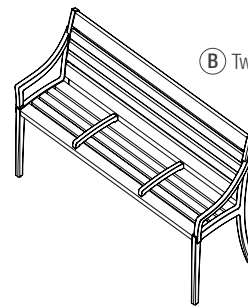
Standard Texture from F+S Powdercoat Color Chart

Custom RAL Powdercoat Color *(subject to upcharge)*

SEAT DIVIDER LOCATIONS, 6 FOOT BENCH



A One centered seat divider



B Two intermediate seat dividers

Seat Divider Options

Seat Dividers Yes No

If yes, please specify location below. (subject to upcharge)

Location **A** **B**

Please see Seat Divider Location options on Page 1.

Mounting Options

Freestanding

Surface Mount*

Add F+S stainless steel mounting hardware kit*

Do not include F+S mounting kit

**Hardware is required for surface mount benches. Mounting kits can be purchased from F+S for an additional charge.*

NOTES

Please send completed forms to sales@forms-surfaces.com or contact us at **800.451.0410** with any questions.